



100W Trolley Box Laser Cleaning Machine

Simple operation

safe and efficient

The portable handheld laser cleaning machine has many advantages such as portability, lightness, flexible parameter adjustment, wireless control, etc. It can efficiently remove rust, stains, oil stains, coatings, etc. on the surface of the workpiece, and is suitable for mechanical processing, cultural relics restoration, mold cleaning, and food processing, electronic circuits and other industries, using the characteristics of precise positioning, which can meet the processing of a variety of modeling workpieces, and achieve high-efficiency cleaning effects.

This model cleaning machine is equipped with a 100W cleaning pulsed fiber laser source as the cleaning light source. The MOPA fiber laser has the characteristics of independently adjustable pulse width and frequency. When the pulse width and frequency are changed it can still maintain a high and stable peak power output to adapt to a wider range of cleaning scenarios.

The hand-held laser head of the cleaning machine has a simple appearance, small and light, and can be used for a long time. The button and handle are integrated design, which is simple and easy to use.

Product features

1. It can be run offline and can be cleaned after power on
2. Laser collimation output (4mm spot)
3. The laser cleaning head is extremely lightweight, weighs only 620g (without armor cable), and can be operated by hand for a long time
4. Patented red light assisted focus technology, can adjust the focus position according to different field lenses
5. Wireless control, can realize parameter setting and light control remotely, and update parameters at any time
6. Portable trolley case design, the weight of the whole machine is 28kg, and it can be transported by high-speed rail or air consignment
7. Super integrated injection molding chassis, cushioning design, stable structure, wear resistance, shock resistance and drop resistance

Characteristic parameter

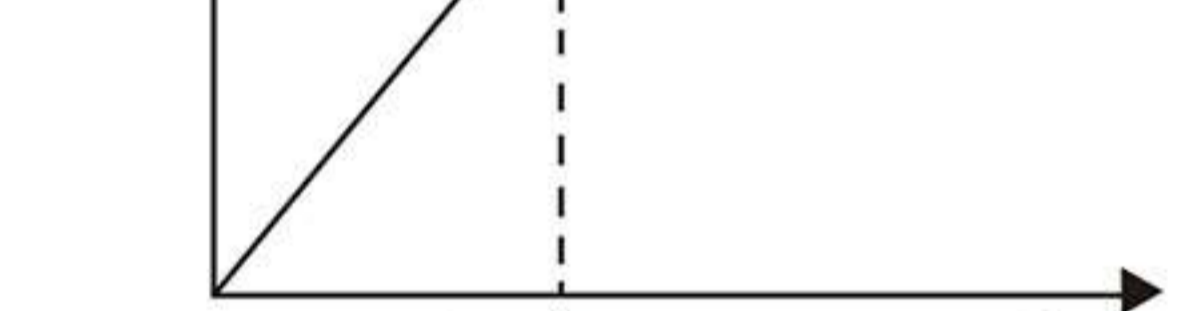
1.CL 100W cleaning series laser parameter index

Output armor cable length (m)	5	Average output power (w)	>100
Maximum pulse energy (mj)	1.5	Frequency adjustable range(kHz)	1-4000
Pulse Width (ns)	2-500	Output power instability(%)	<5
Cooling method	Air-cooled	Supply voltage(V)	48V
Maximum power consumption(W)	<400	Environment supply current(A)	>8
Center wavelength (nm)	1064	Spectral width@3dB(nm)	<15
Polarization direction	Arbitrary	Whether anti-high reflection	Yes
Beam diameter (mm)	4.0±0.5	Power adjustment range(%)	0 ~ 100
range of working temperature (°C)	0 ~ 40	Storage temperature range(°C)	-10 ~ 60
Laser size (mm)	350*280*112	Weight (kg)	13.2

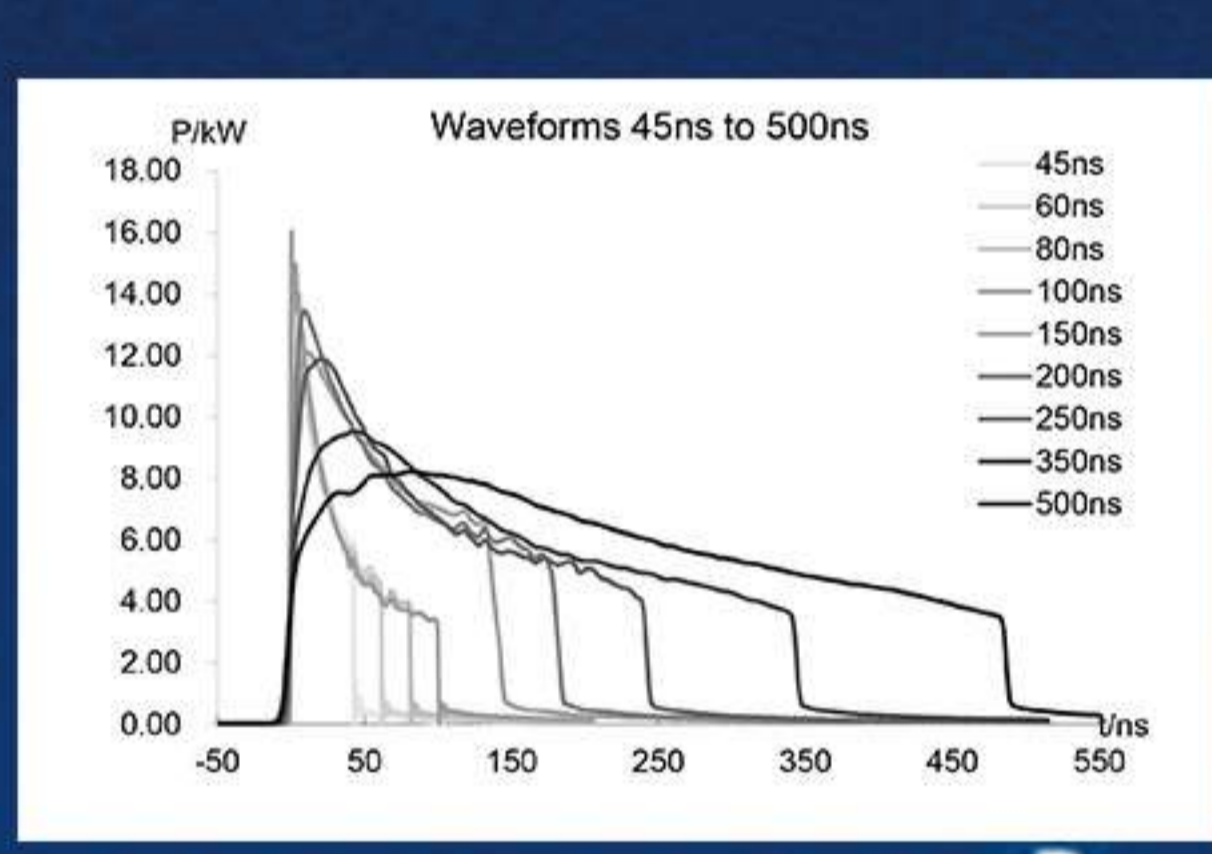
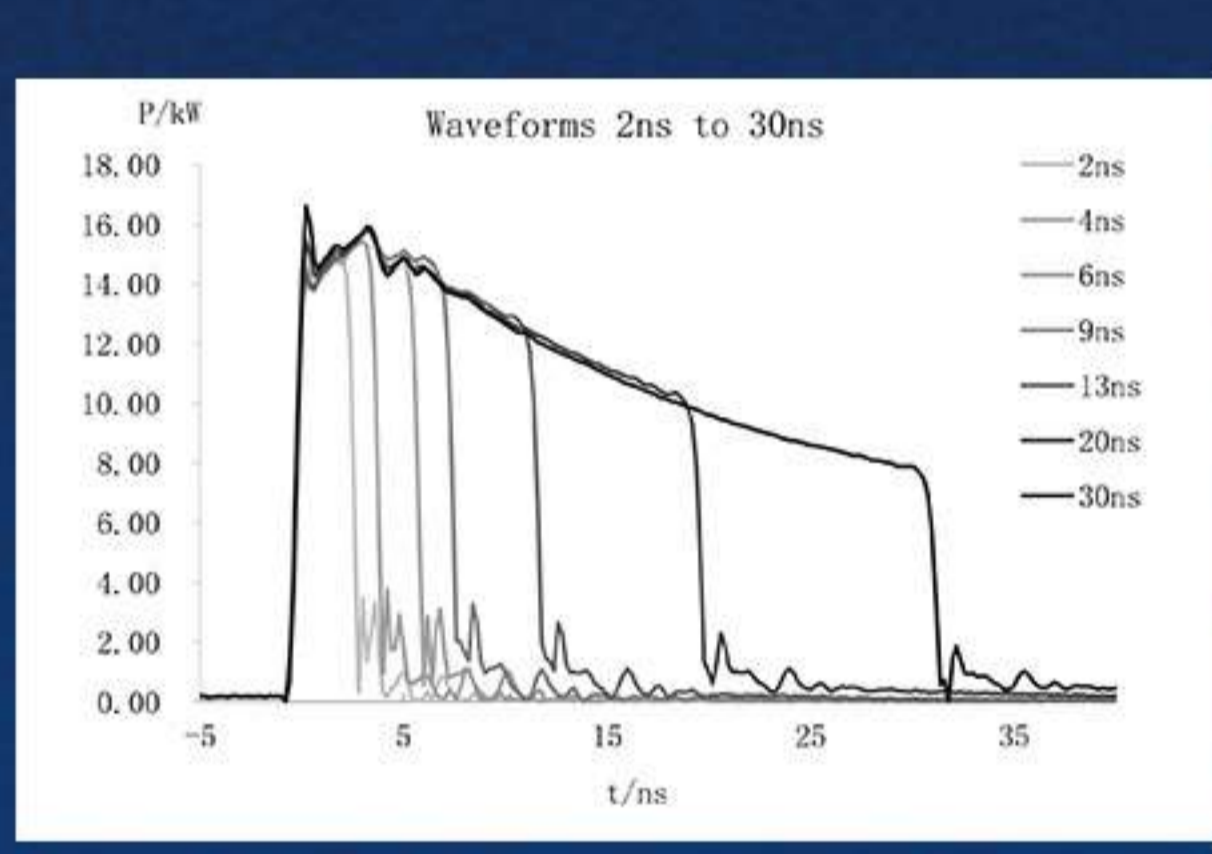
2.CL 100W laser power down frequency value (kHz)

YDFLP-CL-100-1-A		
Set pulse width(Ns)	Power down frequency (kHz)	Maximum frequency (kHz)
1 (CW)		
2	3000	4000
4	2000	4000
6	1500	4000
9	1000	4000
13	700	3000
20	400	3000
30	300	3000
45	250	2000
60	210	2000
80	190	2000
100	165	1000
150	80	1000
200	70	1000
250	65	900
350	65	600
500	65	500

*Above the reduced power frequency is the full power output range of the laser, and below the reduced power frequency is the reduced power output range of the laser. That is, the laser will reduce the output power synchronously to protect the laser when the frequency is below the reduced power frequency. The laser marking frequency should change the output power as follows As shown in the figure:



The power reduction frequency corresponds to the output power change



YDFLP-CL-100-1-A output waveform curve

Parameters/size

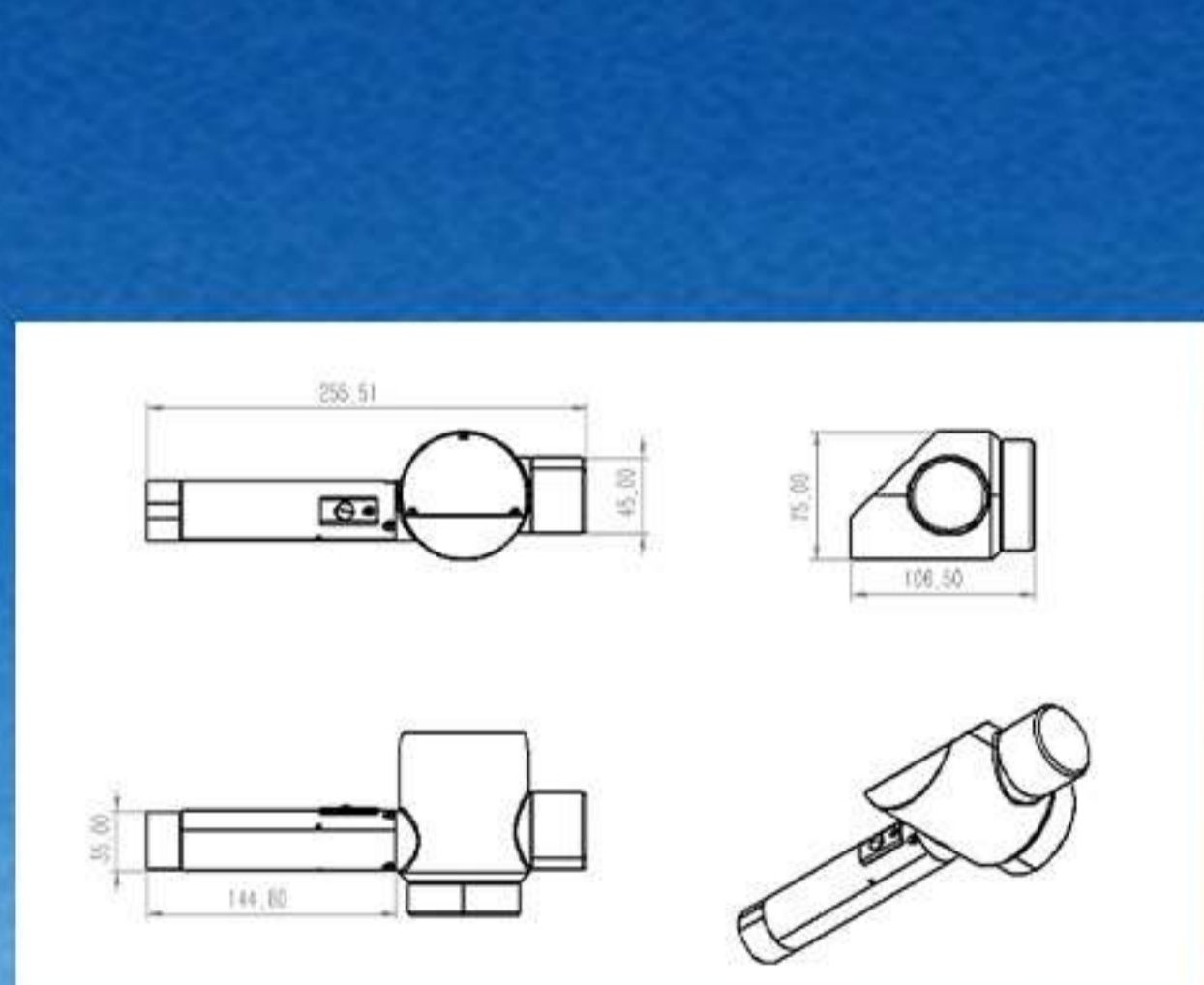
1.CL-100 Washing Machine Parameter Index

Model	CL-100	Output working method	Pulse/continuous
Output armor cable length (m)	5	Average output power(W)	>100
Cooling method	Air-cooled	Supply voltage(V)	220V
Maximum power consumption(W)	<450	Whether anti-high reflection	Yes
range of working temperature(°C)	0 ~ 40	Storage temperature range (°C)	-10 ~ 60
Washing machine size(mm)	617*469*291	Package dimensions(mm)	750*580*500
Weight (kg)	Net: 28 Gross: 46	Laser head weight (kg)	0.62

2.Dimension of washing machine



Dimensions of the outer box of the washing machine



Cleaning pipe size chart

Cleaning sample display



Copper alloy surface patina cleaning



Cleaning of oxides and pollutants on the surface of steel pipes



Rail derusting